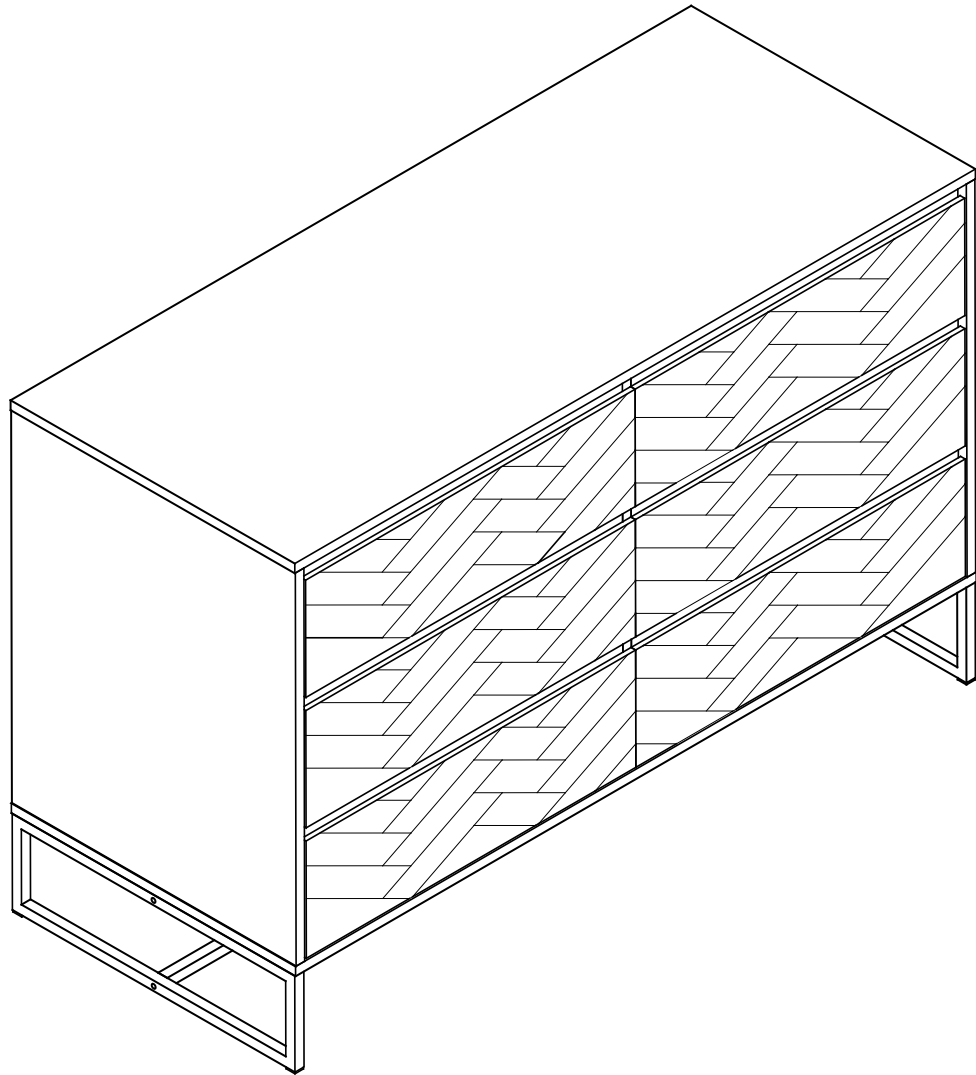


# Rupert

## Six Drawer

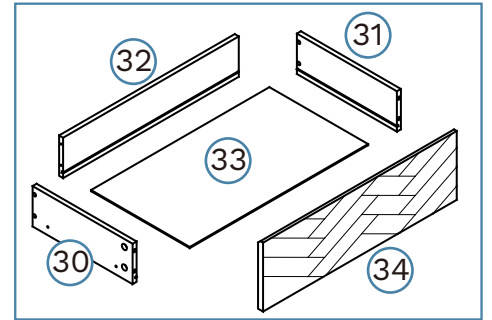
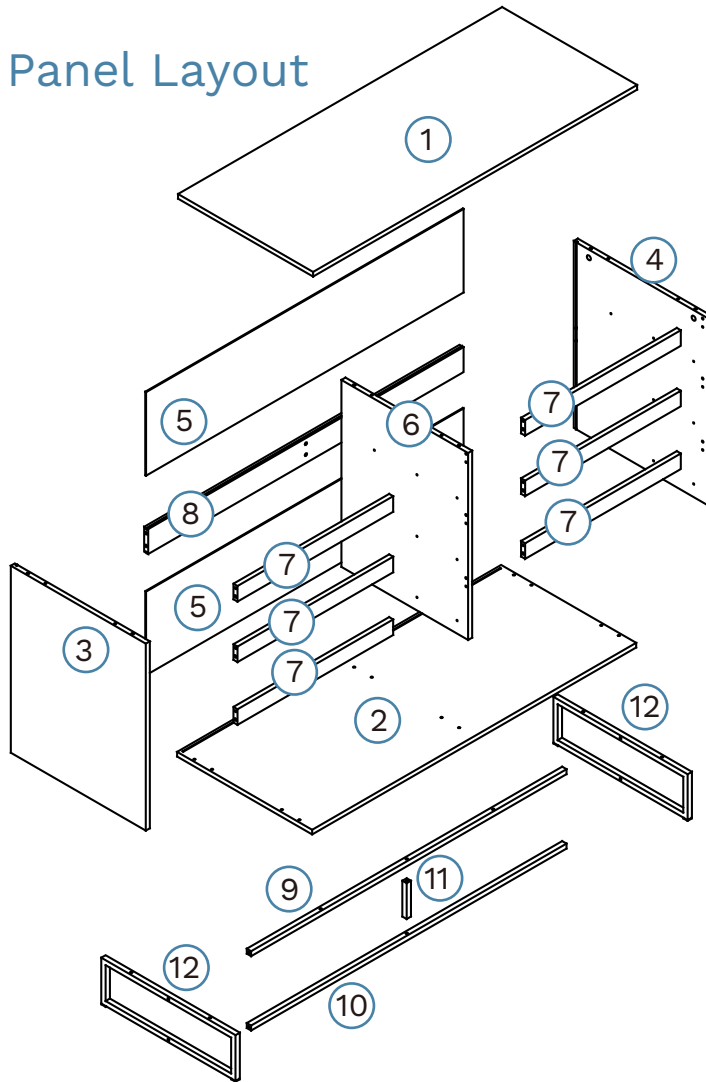
Thank you for your purchase. Please follow the instructions for correct assembly. While we took great effort to ensure these assembly instructions were correct at the time of printing, sometimes updates are required post production. For the most up to date versions please refer to the product page on our website. [mocka.com.au/mocka.co.nz](http://mocka.com.au/mocka.co.nz)



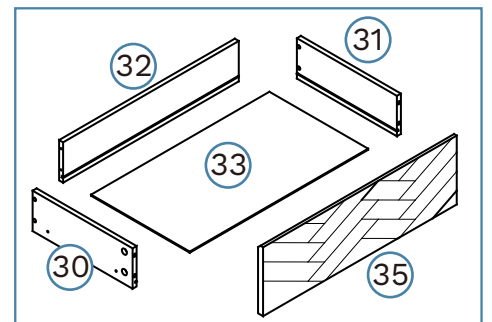
# Rupert

Six Drawer

## Panel Layout



x3



















x3

## Partlist






①	Top Panel	x1	⑩	Rail	x1
②	Bottom Panel	x1	⑪	Rail	x1
③	Left Side Panel	x1	⑫	leg	x2
④	Right Side Panel	x1	⑳	Left Drawer Side	x6
⑤	Back Panel	x2	㉑	Right Drawer Side	x6
⑥	Divider	x1	㉒	Drawer Back	x6
⑦	Rail	x6	㉓	Drawer Base	x6
⑧	Rail	x1	㉔	Drawer Front	x3
⑨	Rail	x1	㉕	Drawer Front	x3

# Ruput

## Six Drawer

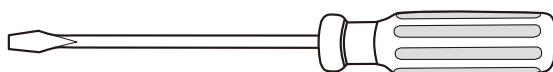
<b>A</b>  dowel x18	<b>B</b>  long screw x8	<b>C</b>  bolt x46	<b>D</b>  locking nut x46	<b>E</b>  screw x60	<b>F</b>  bolt x6	<b>G</b>  long bolt x6	<b>H</b>  wedge x8
<b>I</b>  screw x8	<b>J</b>  Allen Key x1	<b>K</b>  screw x24	<b>L</b>  long dowel x3	<b>CL</b>  slide rail x6	<b>CR</b>  slide rail x6	<b>DL</b>  slide rail x6	<b>DR</b>  slide rail x6

HARDWARE SUPPLIED

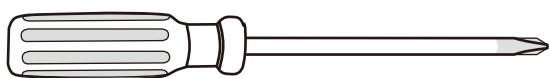
<b>V</b>  safety strap x2	<b>W</b>  screw x 2	<b>X</b>  wall anchor x 2	<b>Y</b>  wall screw x 2	<b>Z</b>  washer x 4
---	---	---	--	--

WALL STRAP

**WARNING:** Any furniture that is not anchored to a wall has the potential to tip over in certain circumstances, i.e. if a child attempts to climb up on the furniture or in the event of an earthquake. Accordingly, we recommend that all furniture is anchored to a wall. We supply a free safety wall anchor with all furniture sold and we recommend these are used to prevent your product tipping. The fixing device provided should fit most wall types, but please note that different wall materials may require different fixing devices from those supplied.



Phillips & Flathead screwdrivers required

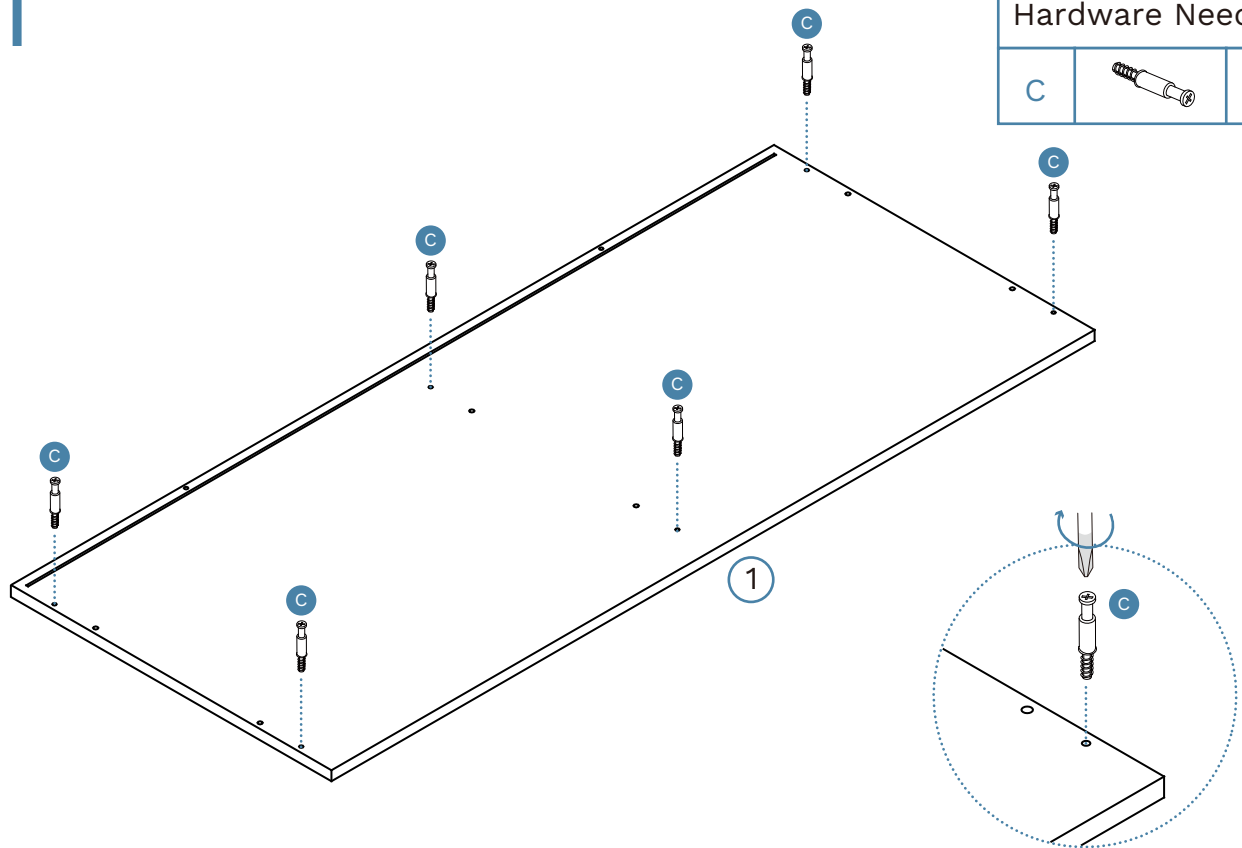



For quicker assembly, we recommend the use of a power drill on a low-speed setting.

# Rupert

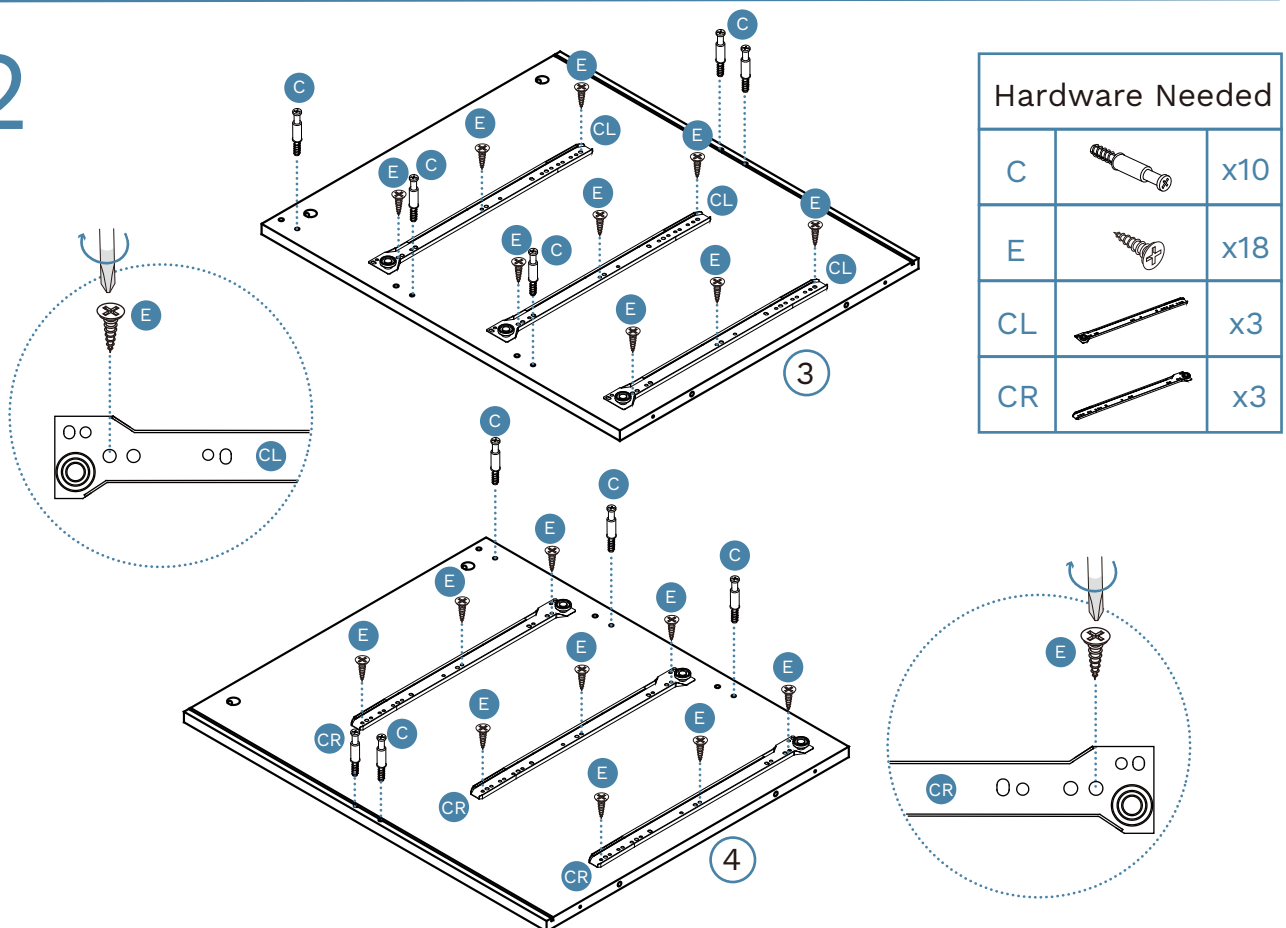
Six Drawer





1



Hardware Needed		
C		x6

2

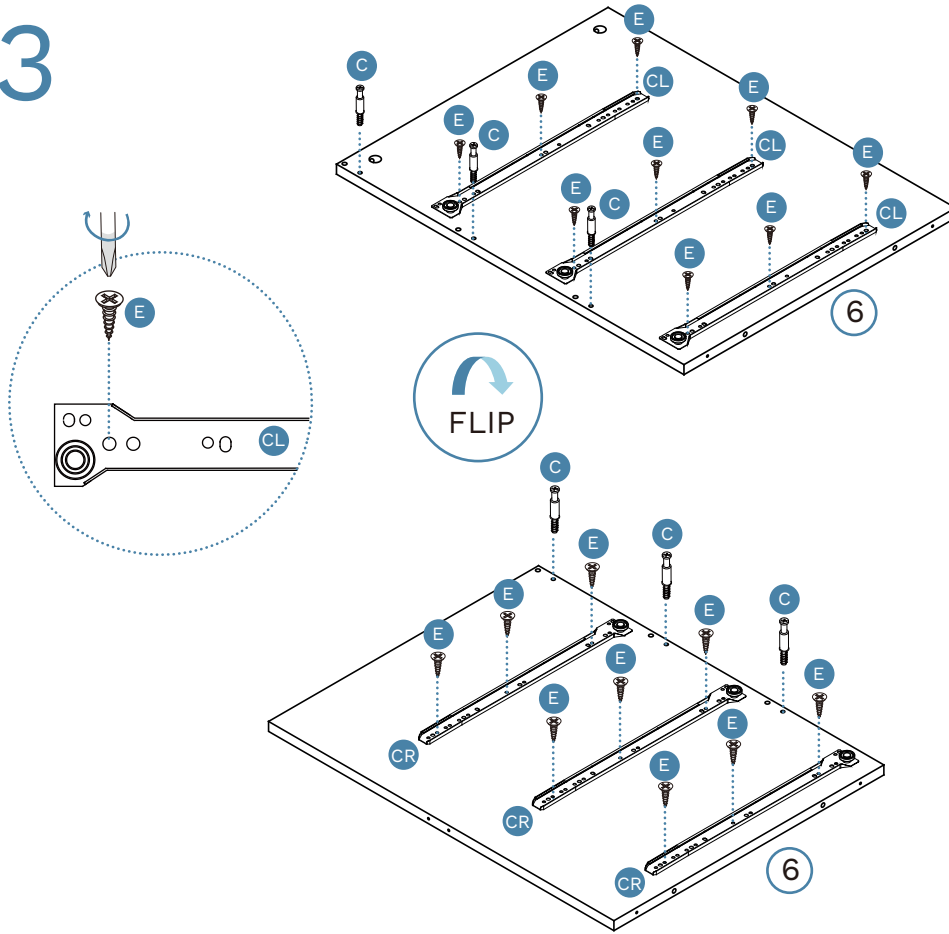


Hardware Needed		
C		x10
E		x18
CL		x3
CR		x3

# Rupert

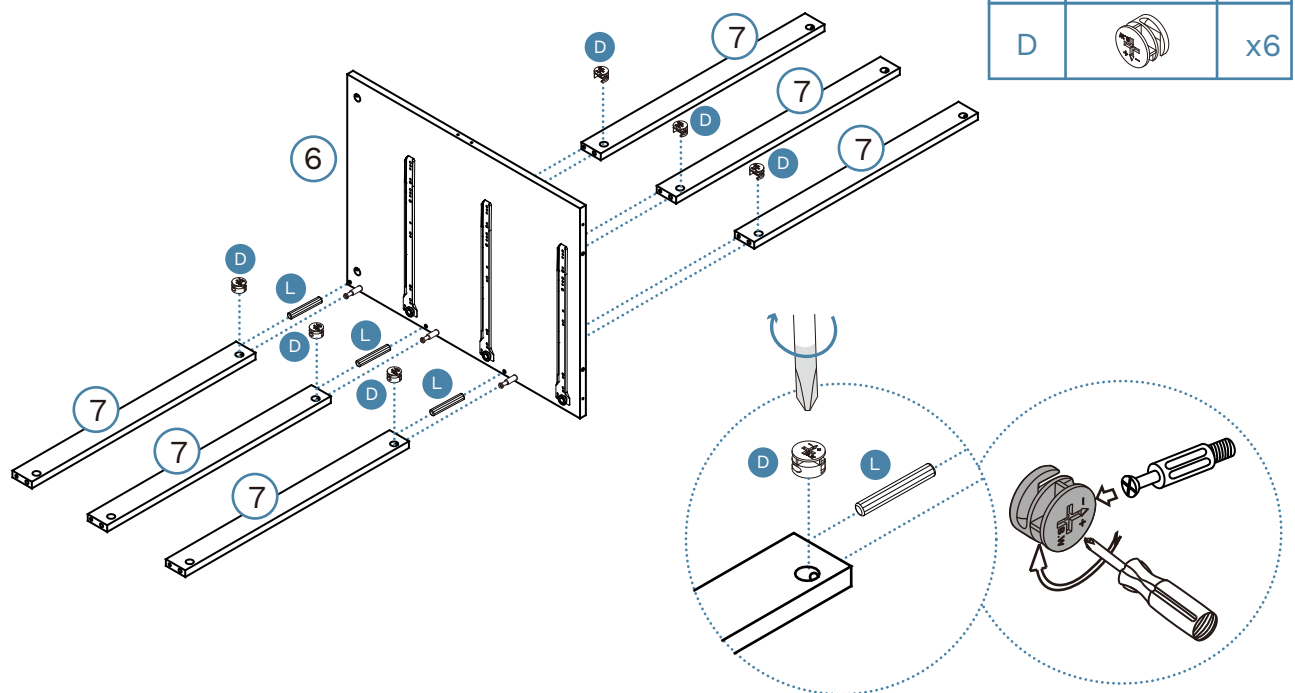
Six Drawer

3



Hardware Needed		
C		x6
E		x18
CL		x3
CR		x3

4

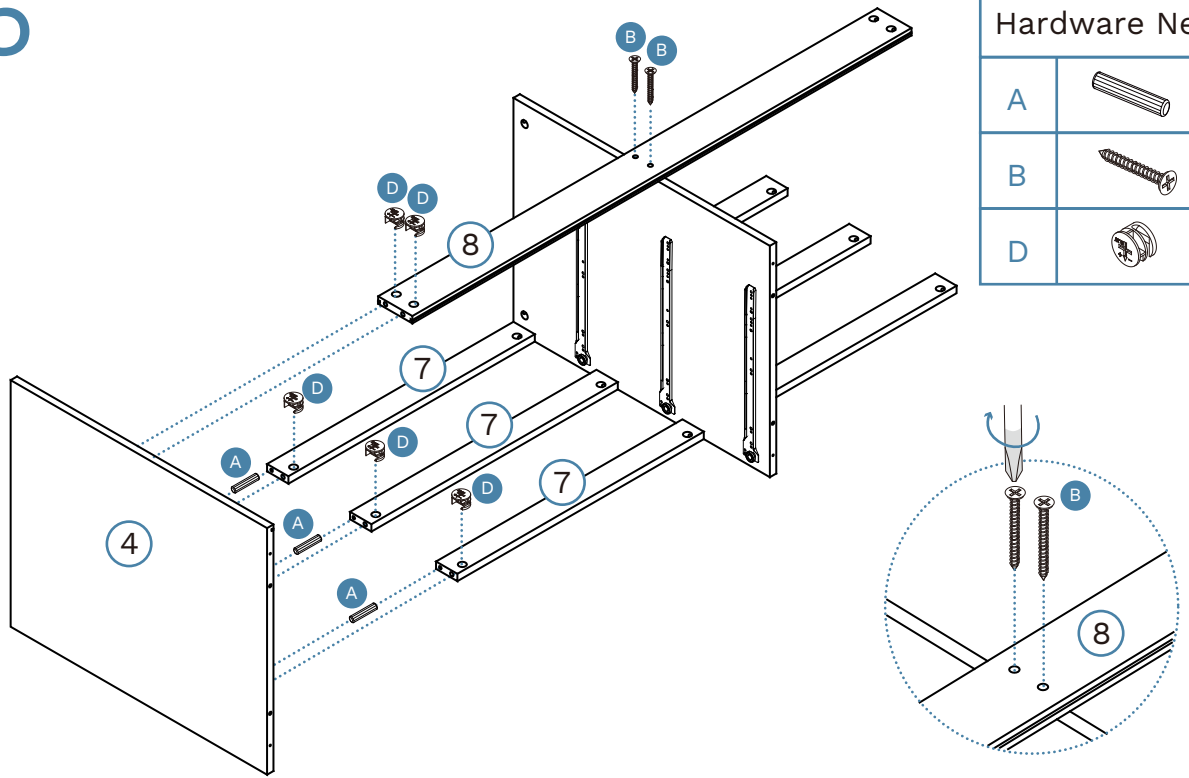





Hardware Needed		
L		x3
D		x6

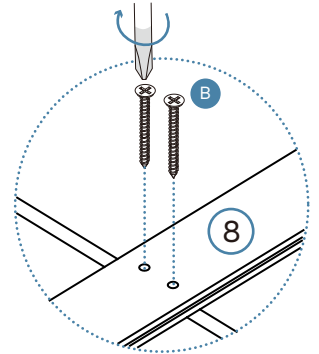
# Rupert

Six Drawer

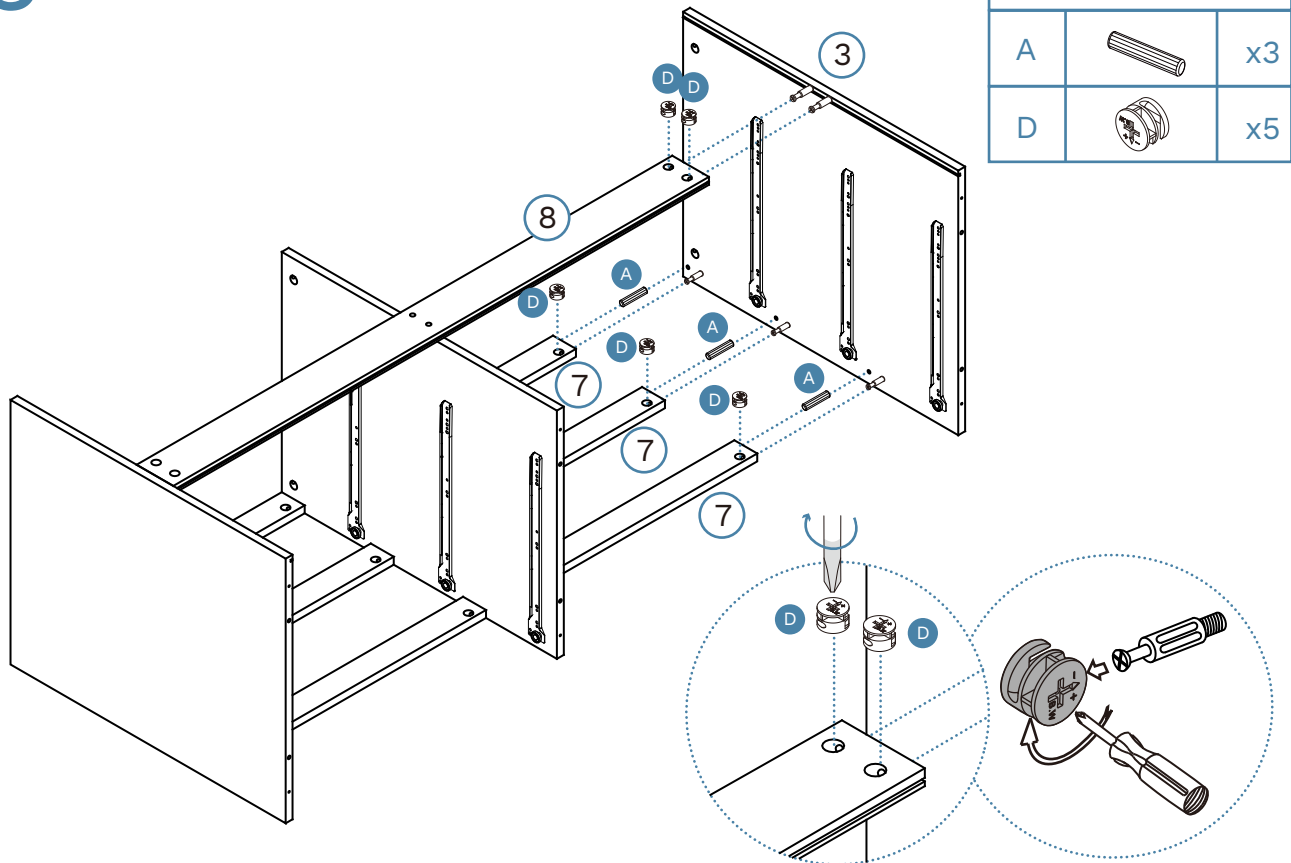
5

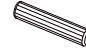



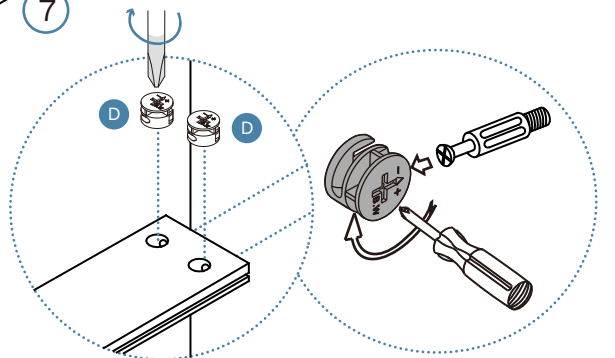
Hardware Needed		
A		x3
B		x2
D		x5



6

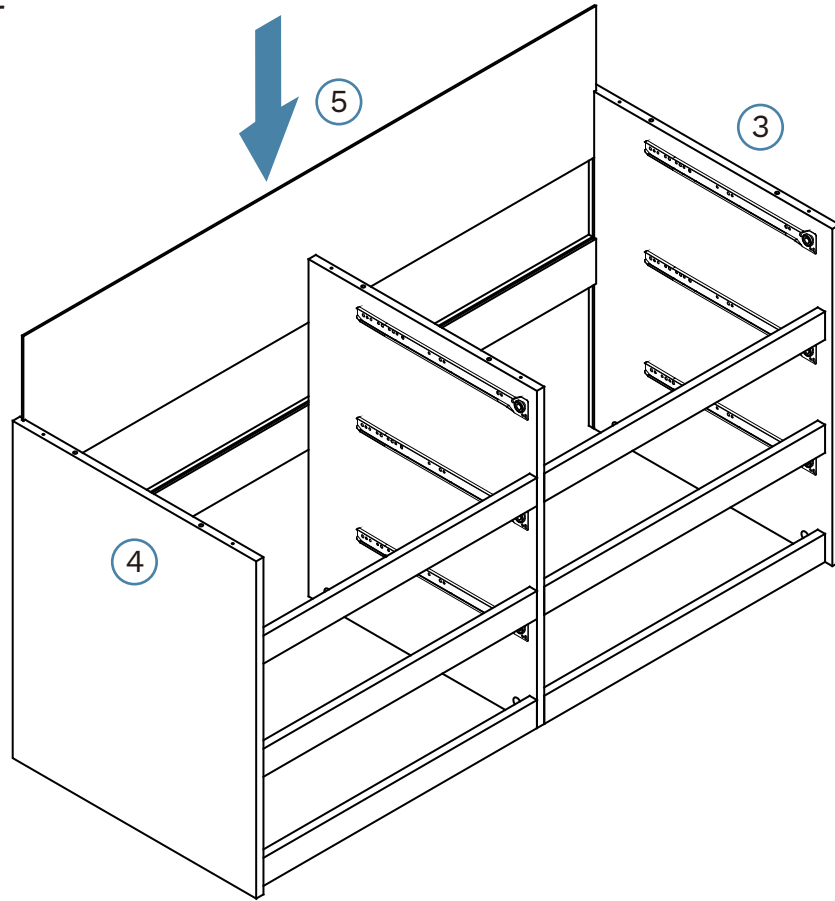


Hardware Needed		
A		x3
D		x5

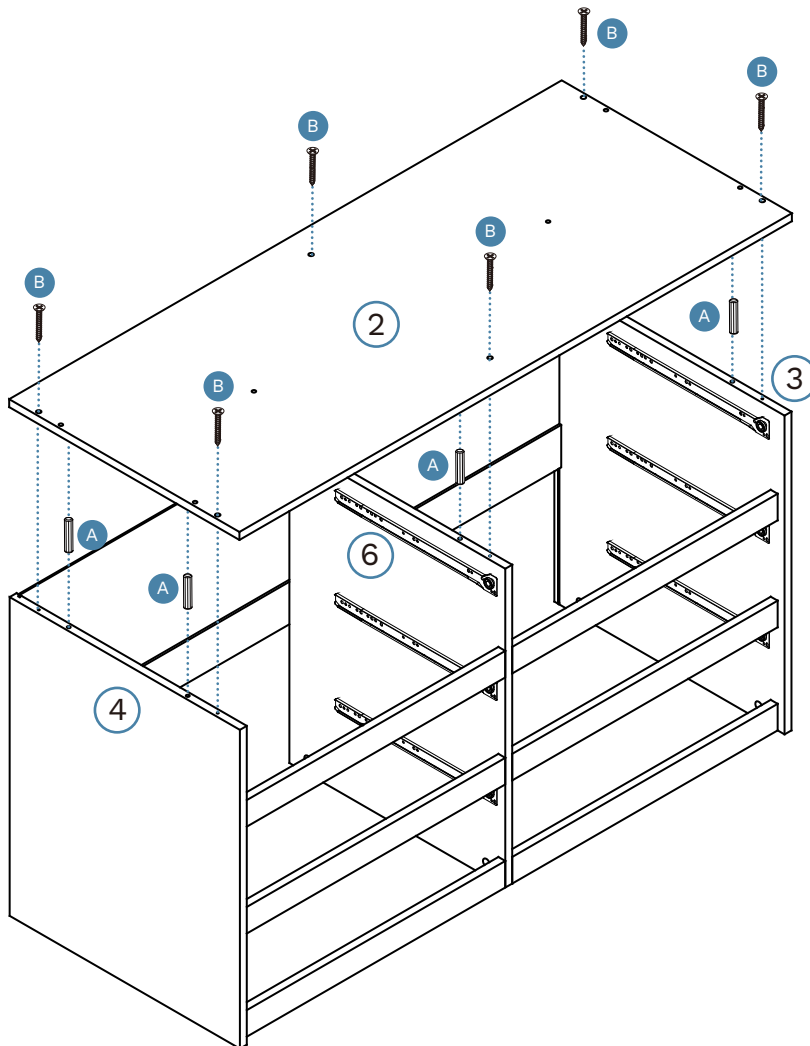




Rupert  
Six Drawer

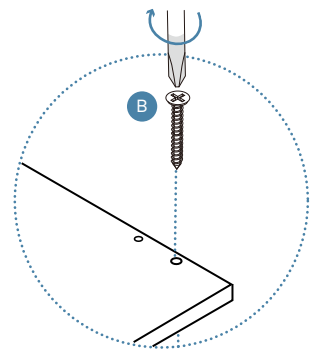
7



8





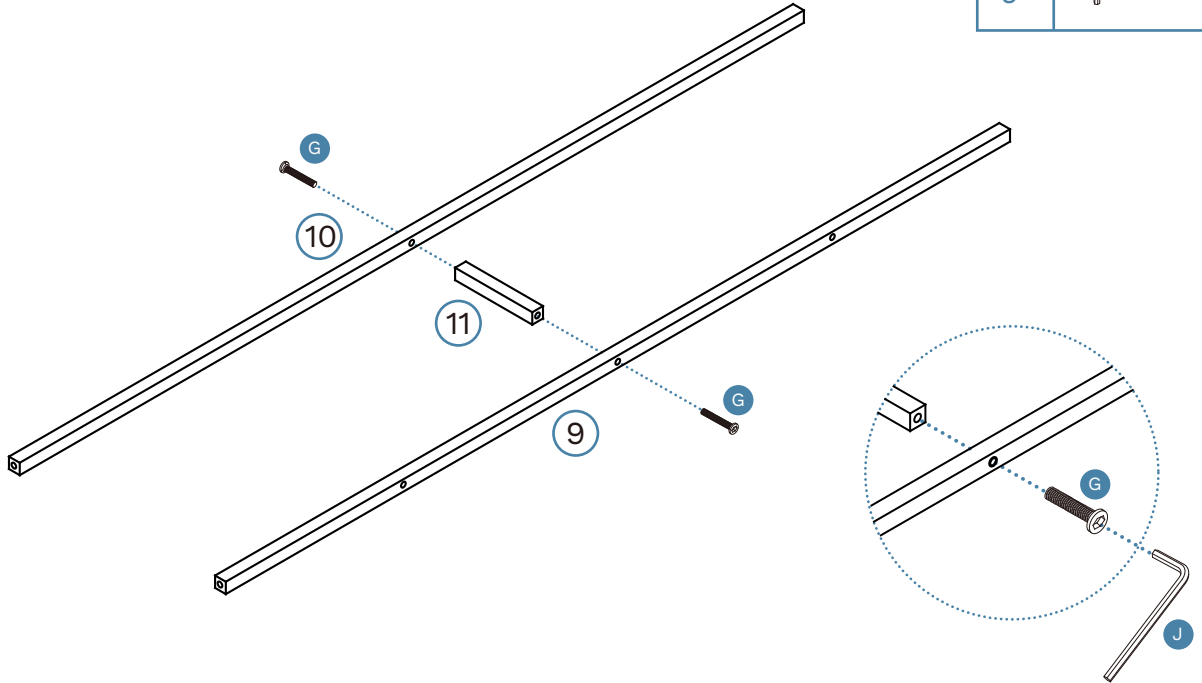
Hardware Needed		
A		x6
B		x6





## Rupert Six Drawer

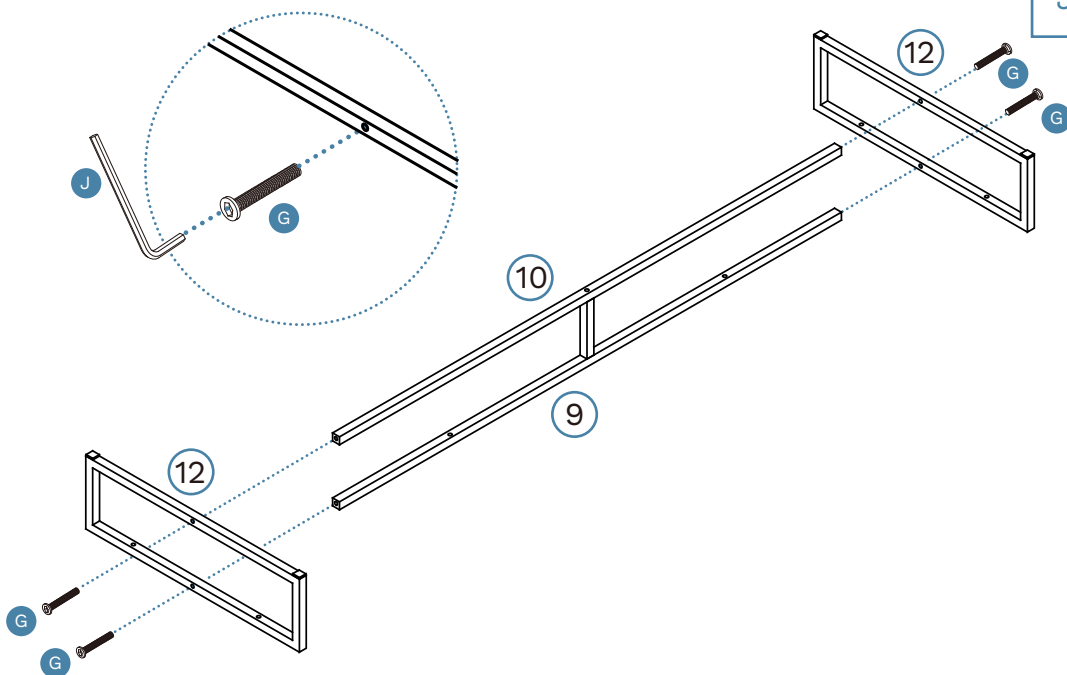
### 9

Hardware Needed		
G		x2
J		x1



### 10

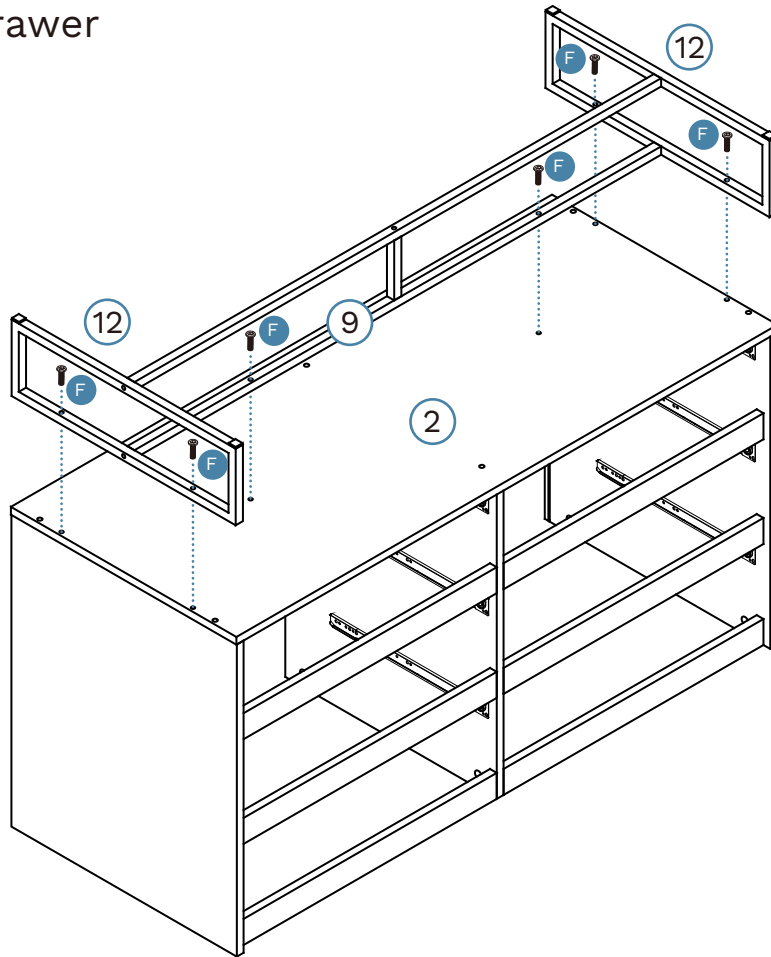
Hardware Needed		
G		x4
J		x1





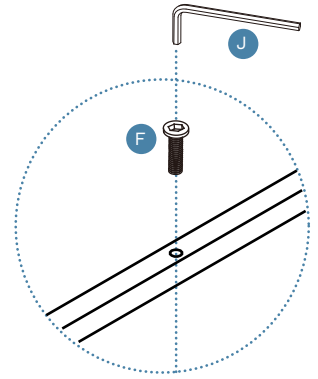


Rupert  
Six Drawer

11

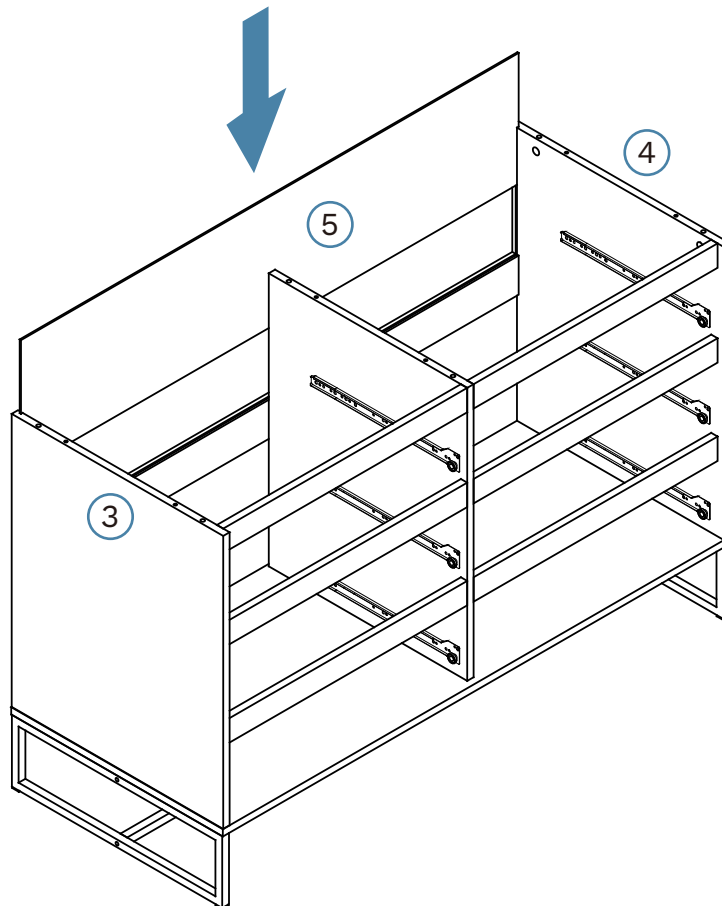


Hardware Needed		
J		x1
F		x6



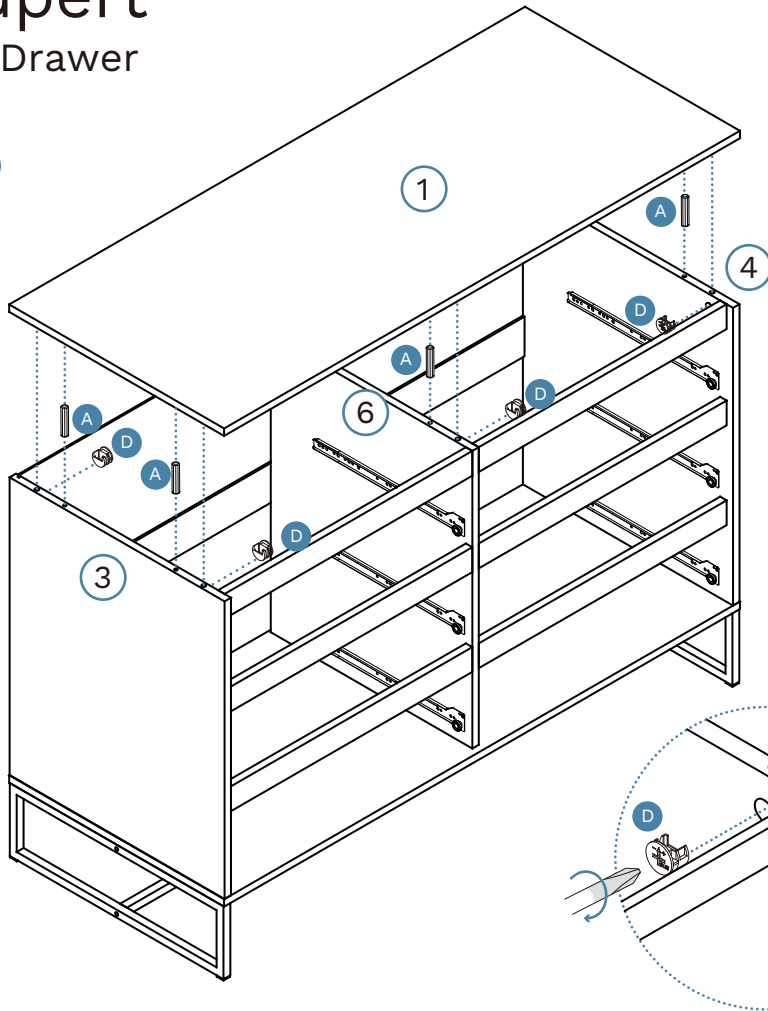
Turn Over

12





Rupert  
Six Drawer

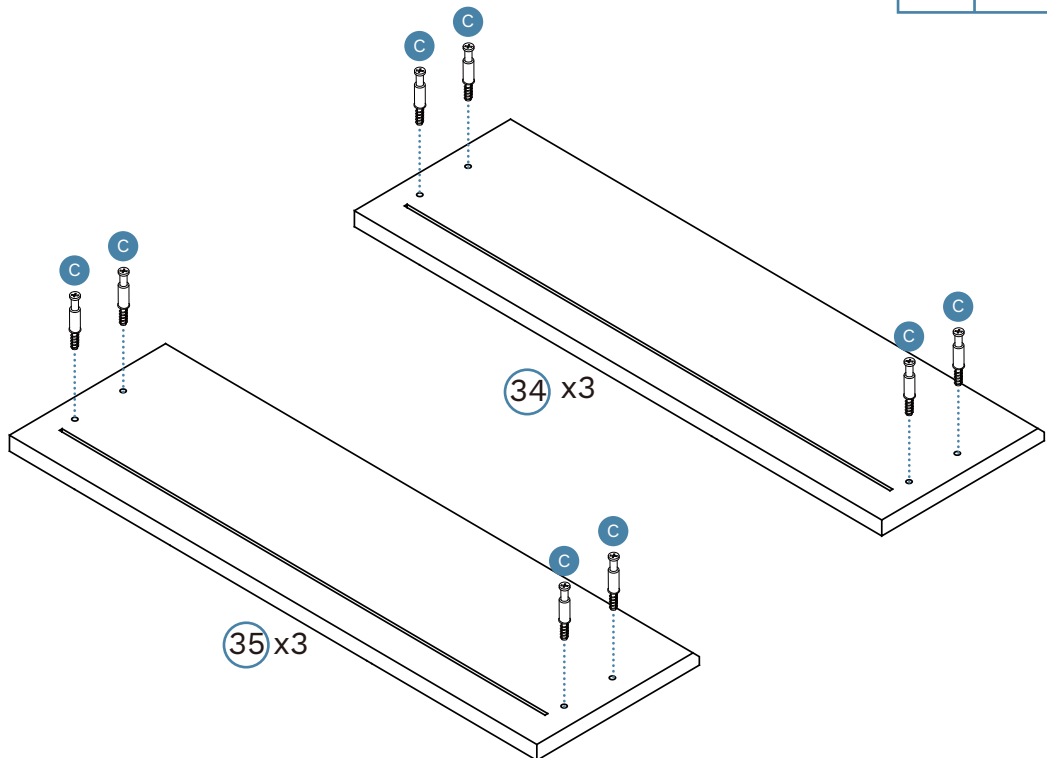
13



Hardware Needed

A		x6
D		x6

14 Drawer x6




Hardware Needed

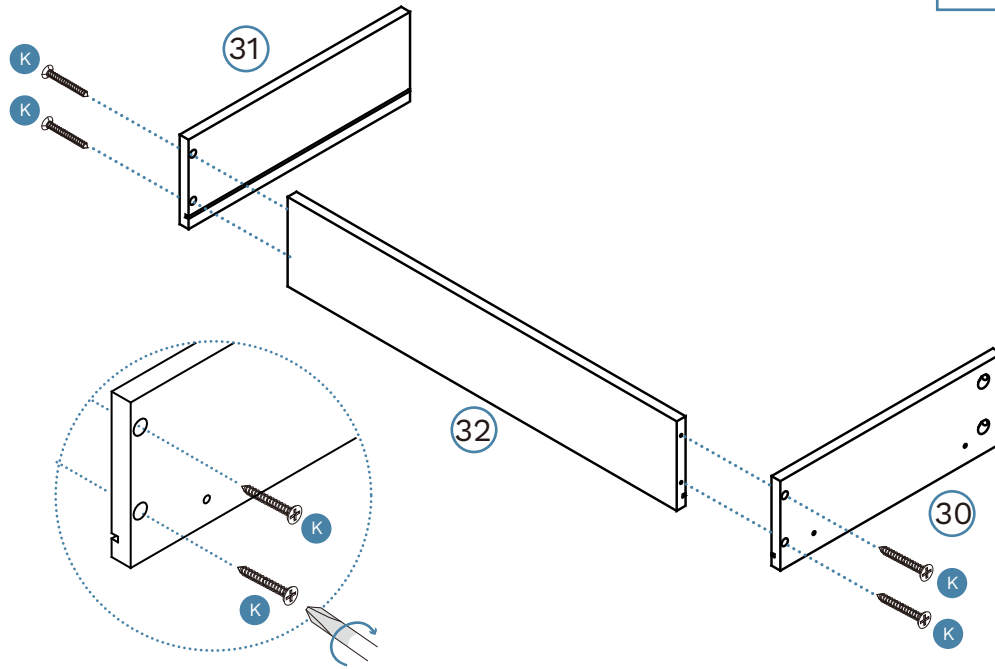
C		x24
---	---	-----

# Rupert

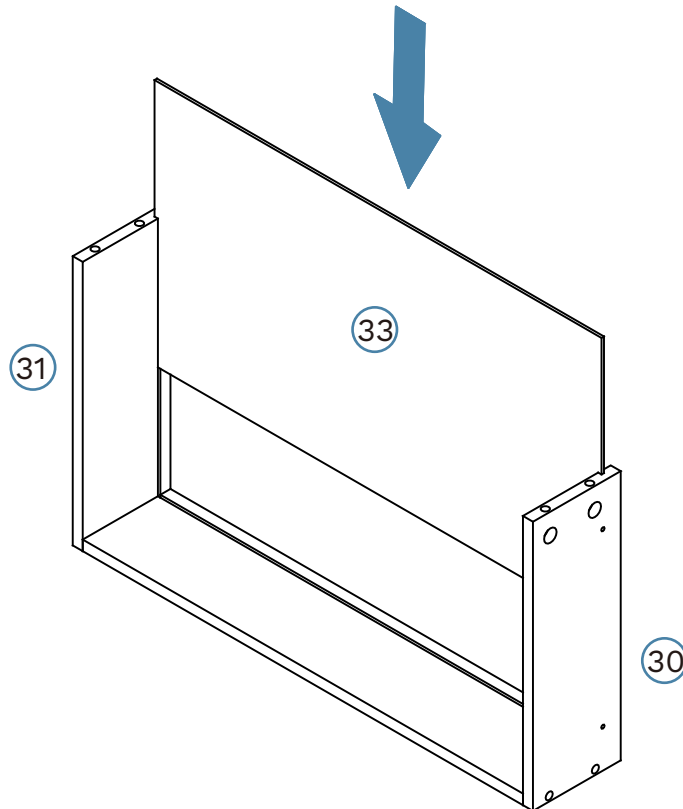
Six Drawer

## 15 Drawer x6

Hardware Needed		
K		x24



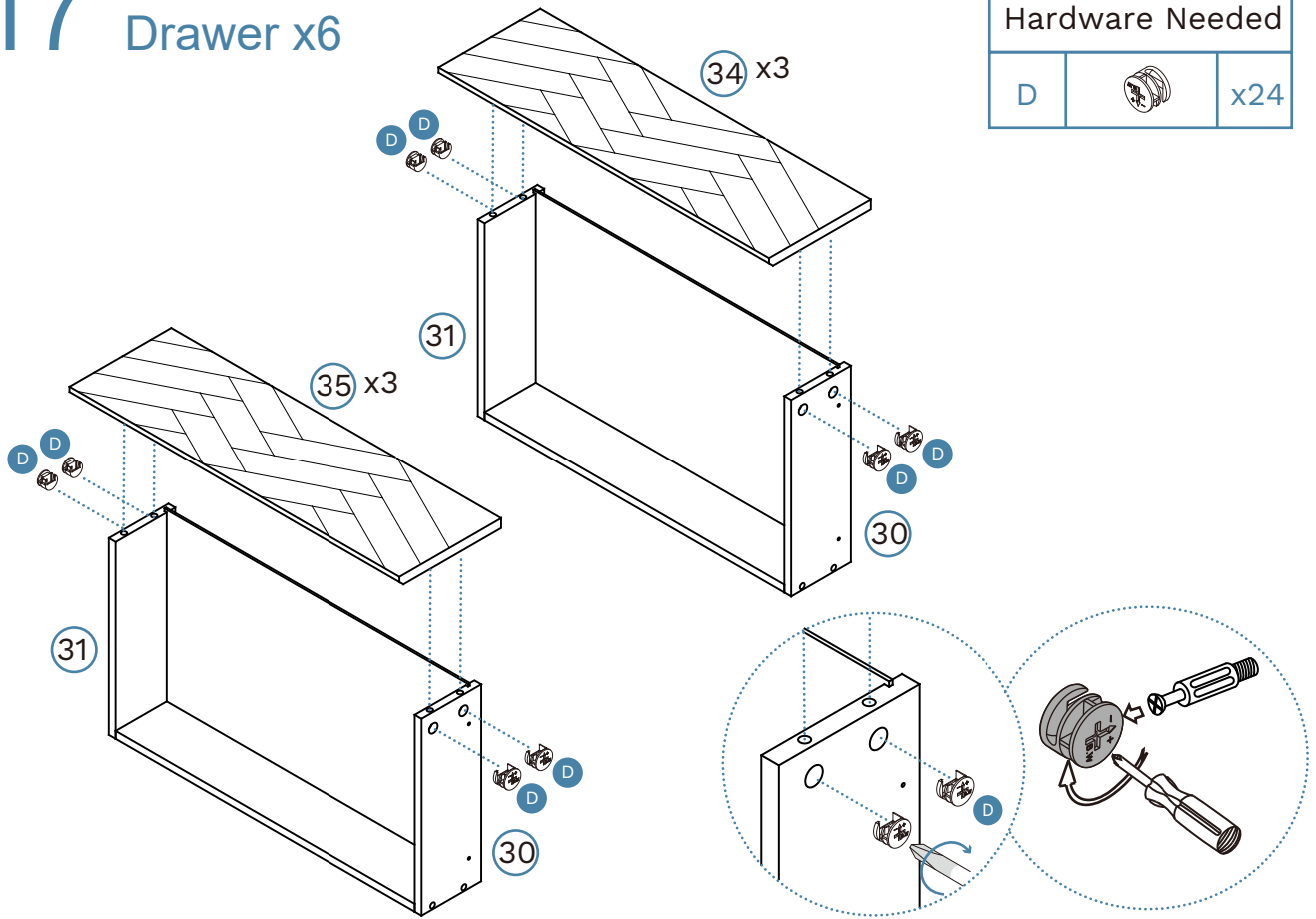
## 16 Drawer x6




# Rupert

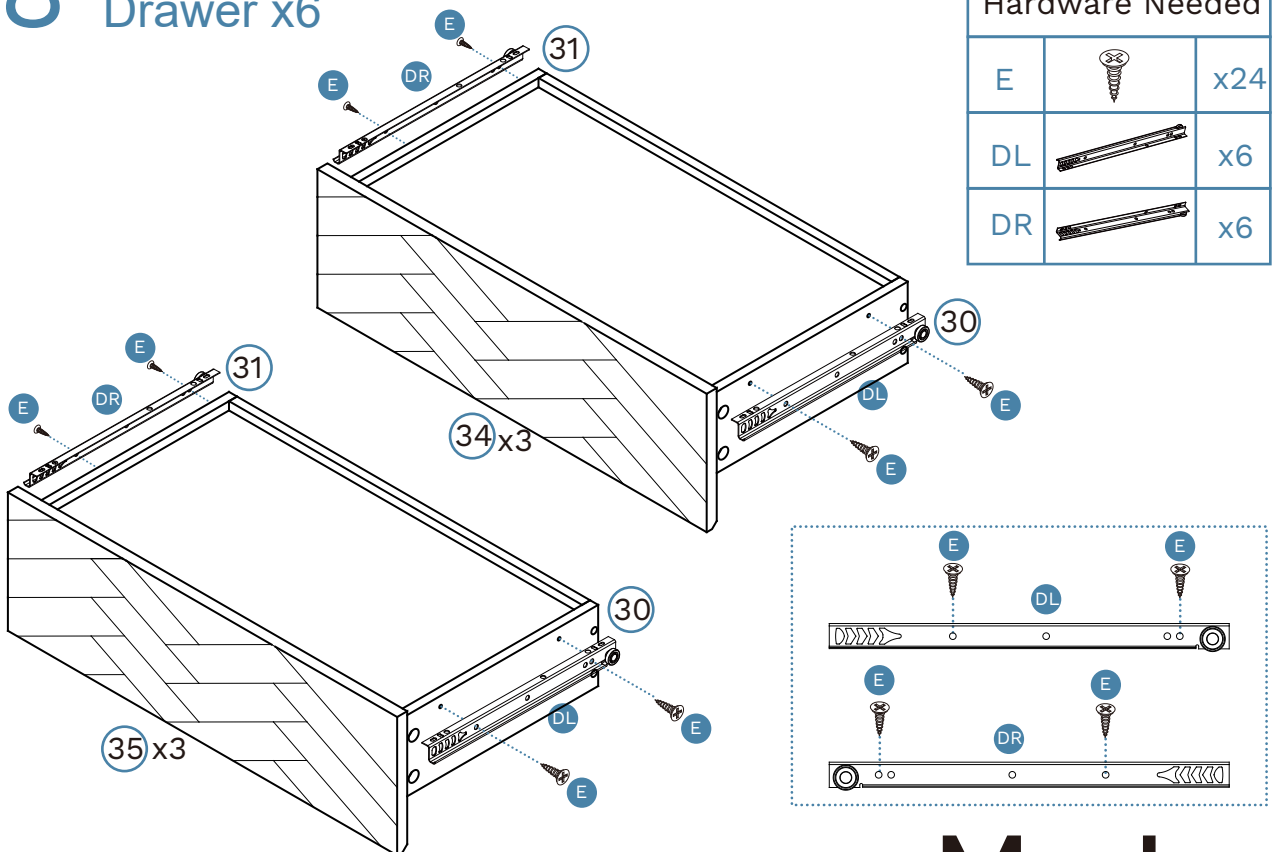
Six Drawer


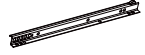

## 17 Drawer x6



Hardware Needed		
D		x24

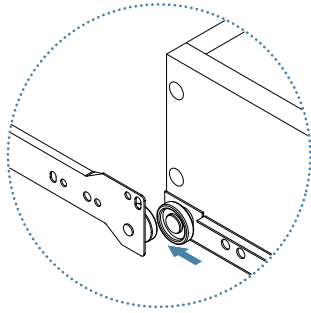
## 18 Drawer x6



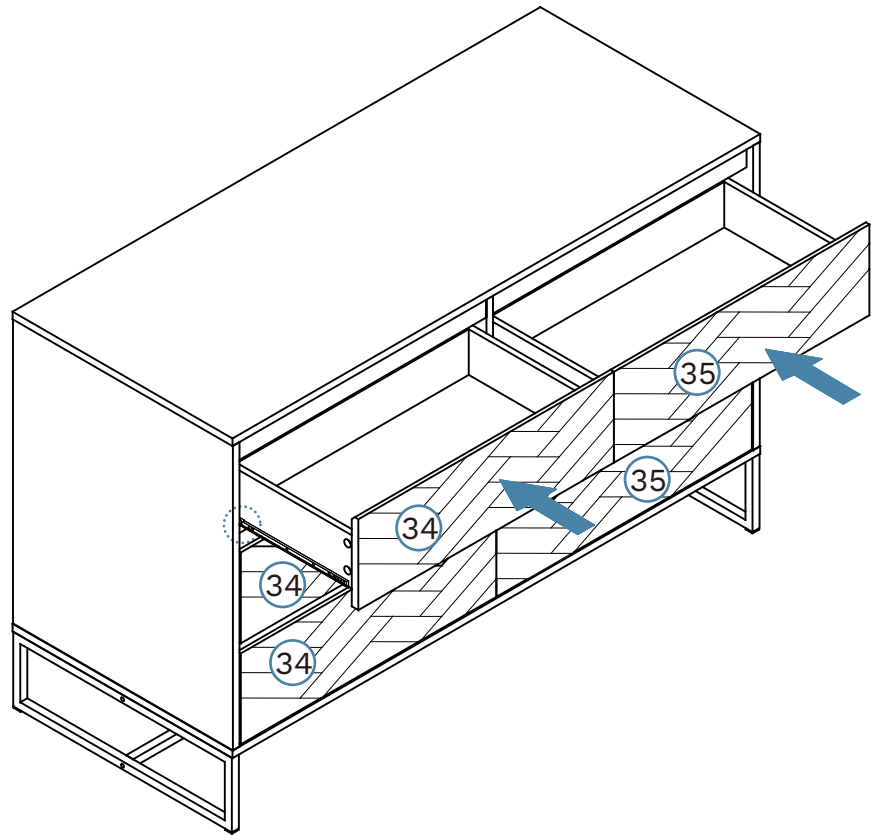
Hardware Needed		
E		x24
DL		x6
DR		x6

Rupert  
Six Drawer

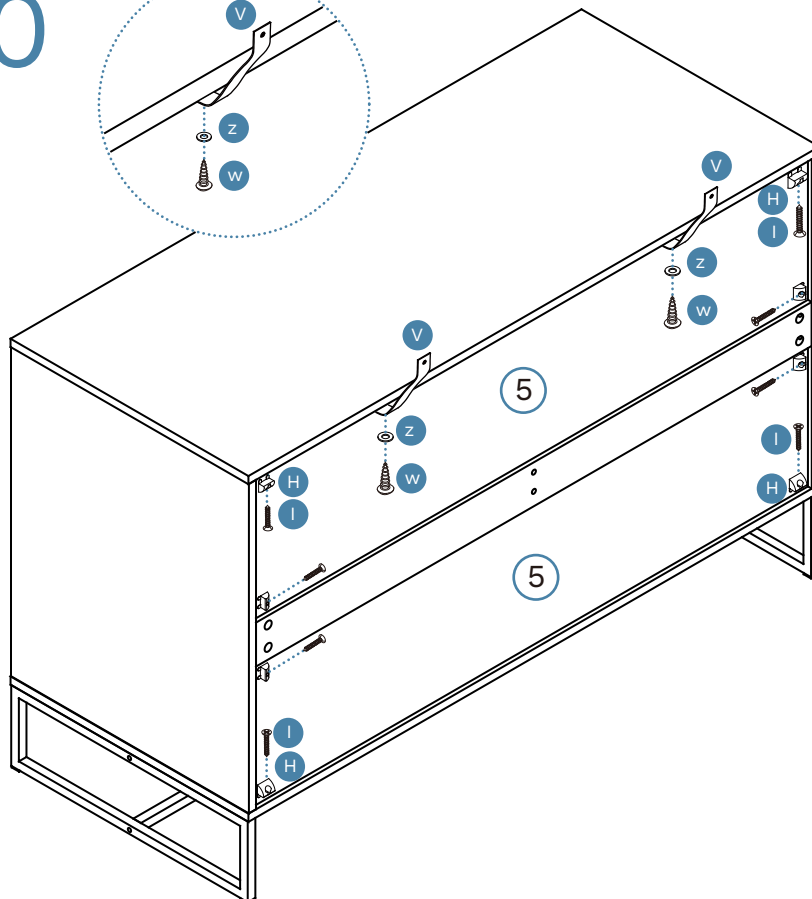
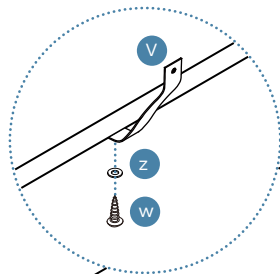
19



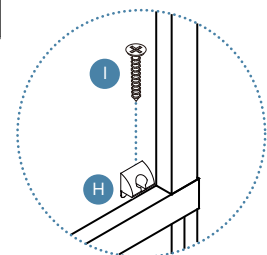
Carefully insert the drawers into the unit by gently guiding the runners into the tracks.



20



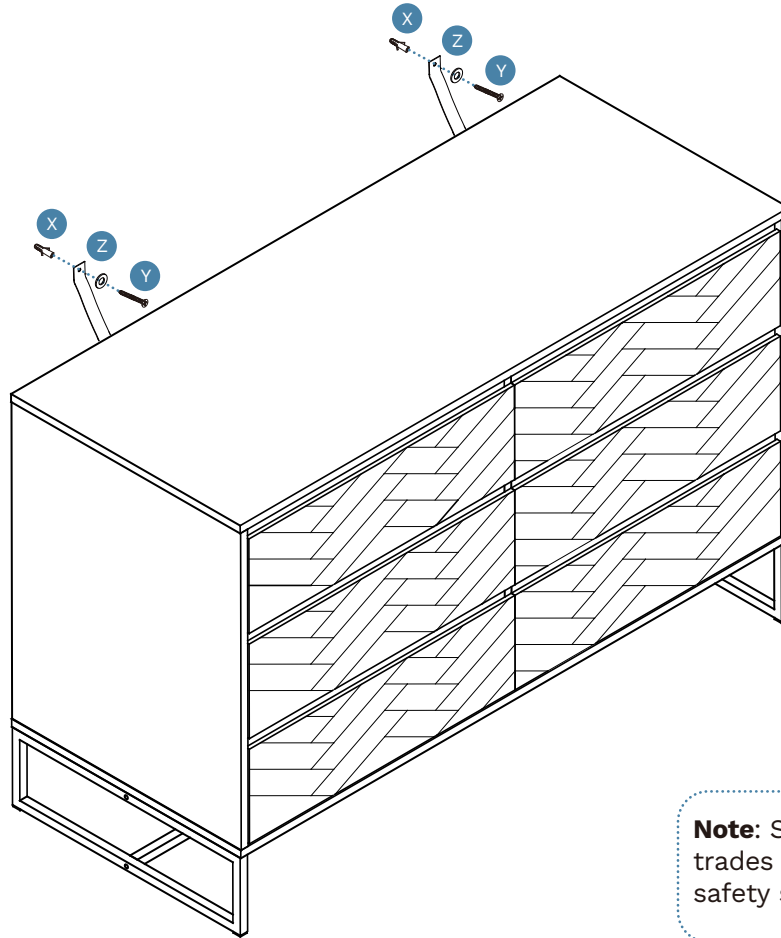
Hardware Needed		
H		x8
I		x8
V		x2
W		x2
Z		x2






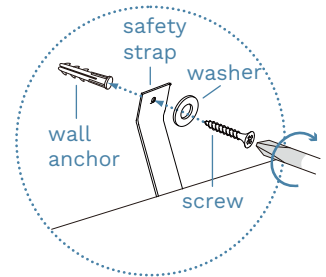
# Rupert

Six Drawer

21

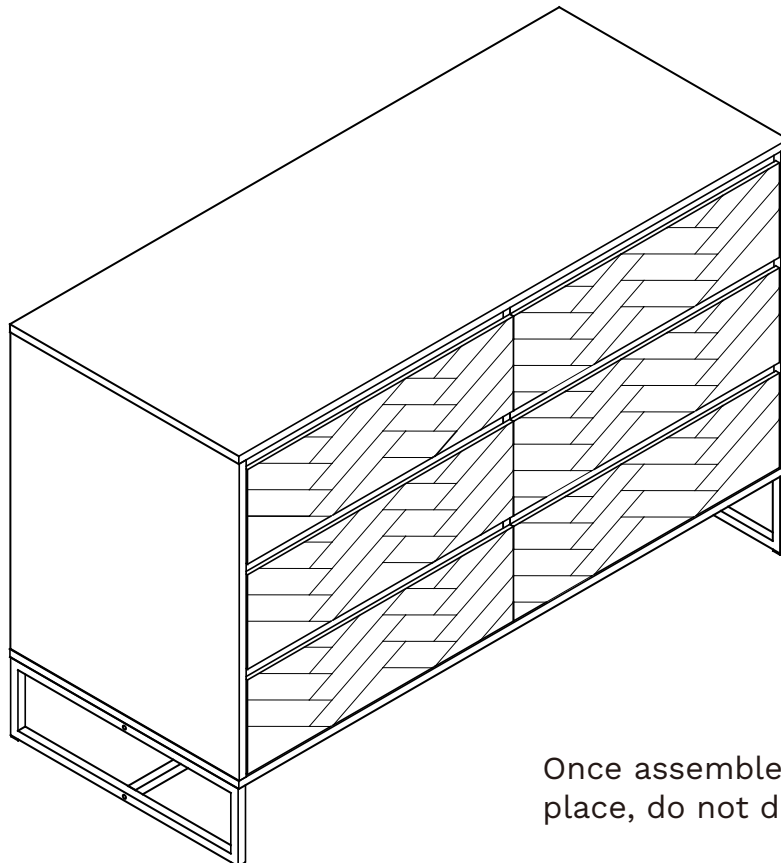


Hardware Needed		
X		x2
Y		x2
Z		x2



**Note:** Seek advice from a qualified trades person on how to attach this safety strap to your specific wall.

22



Once assembled lift furniture into place, do not drag. You're done, enjoy!